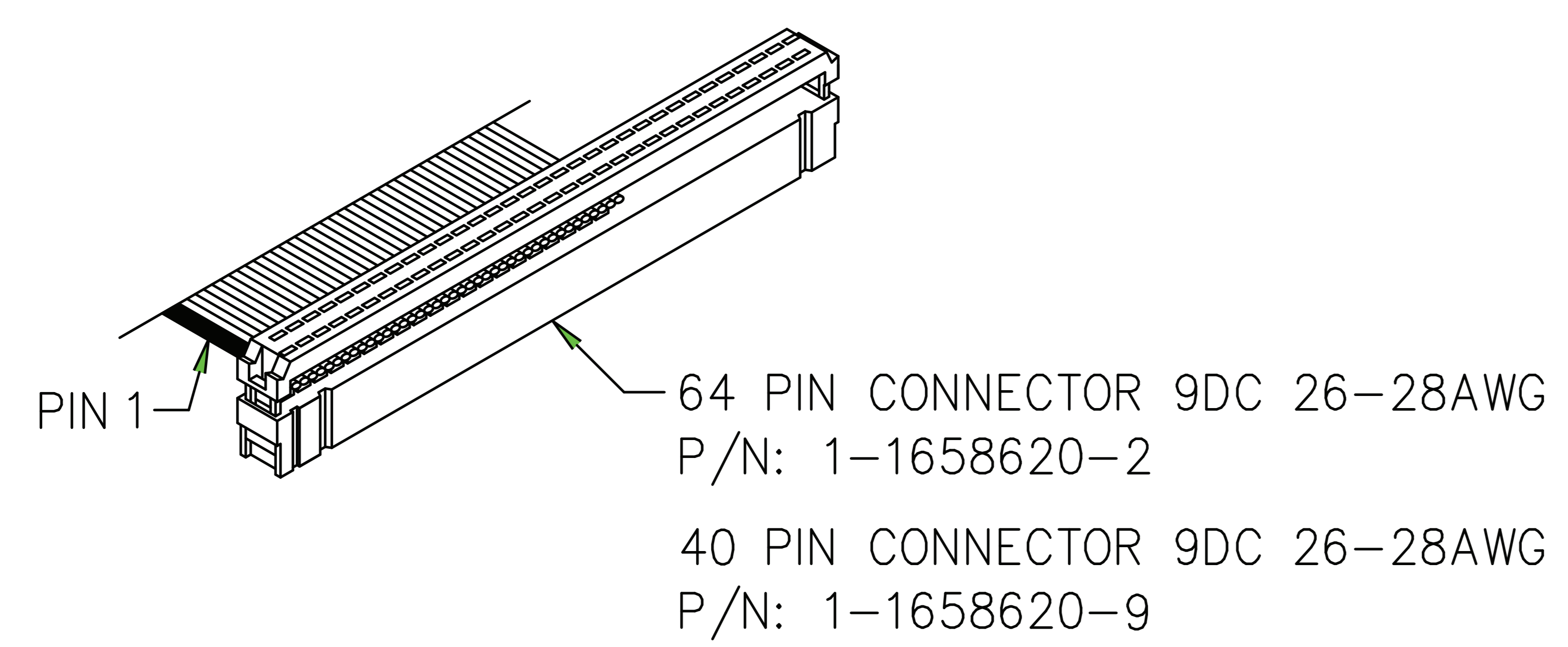
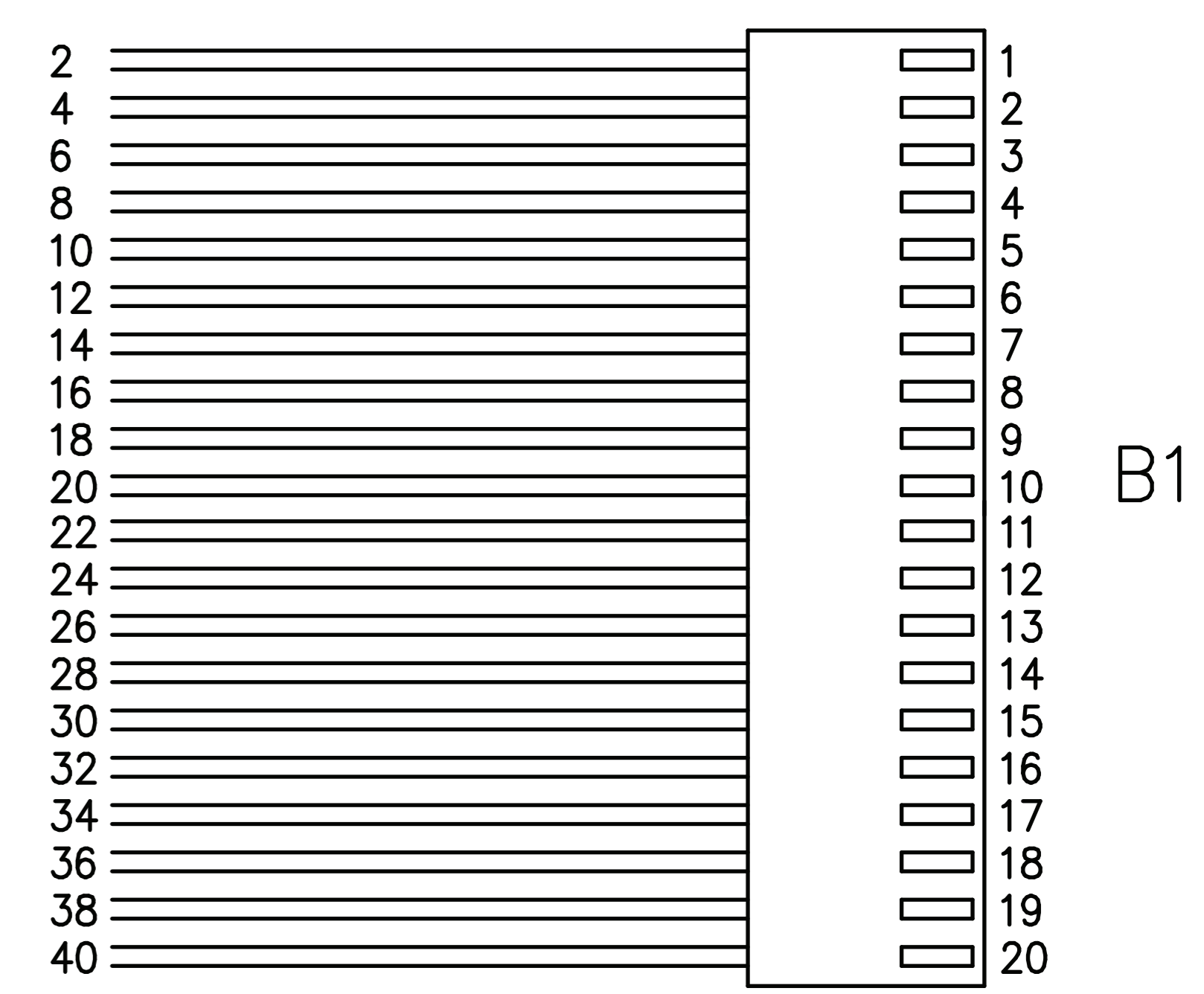
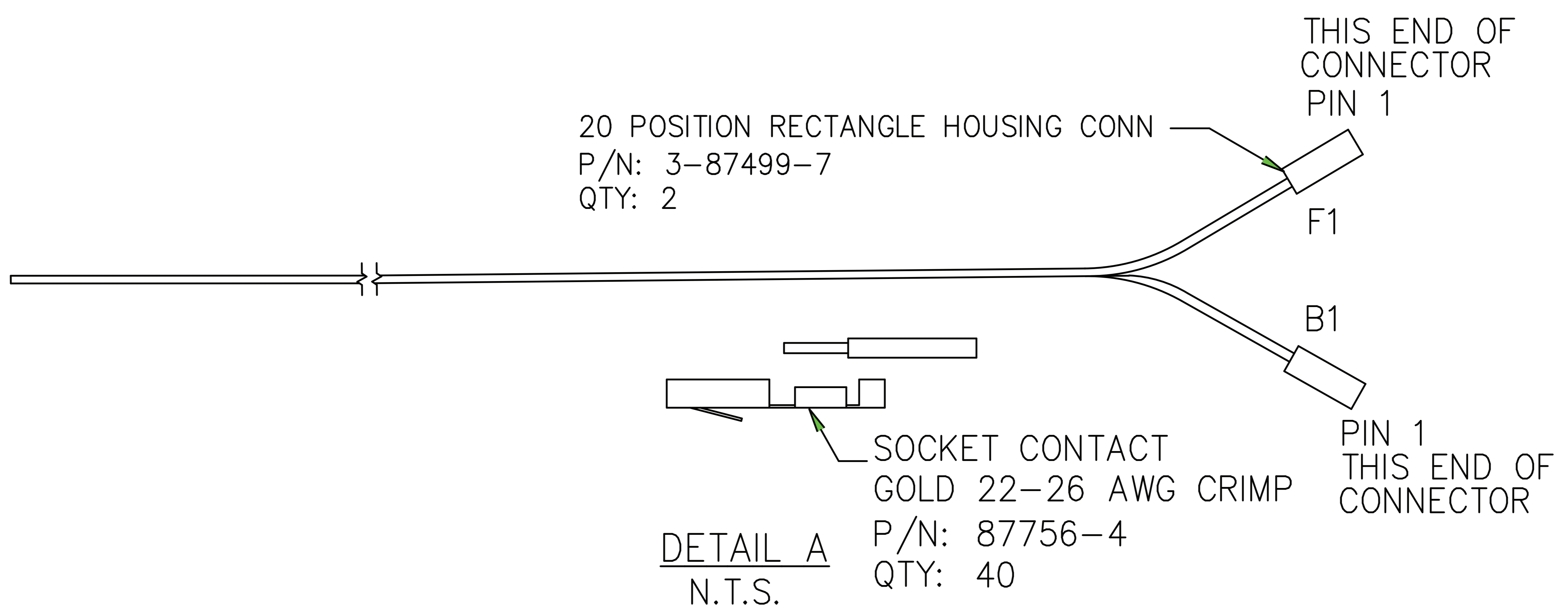
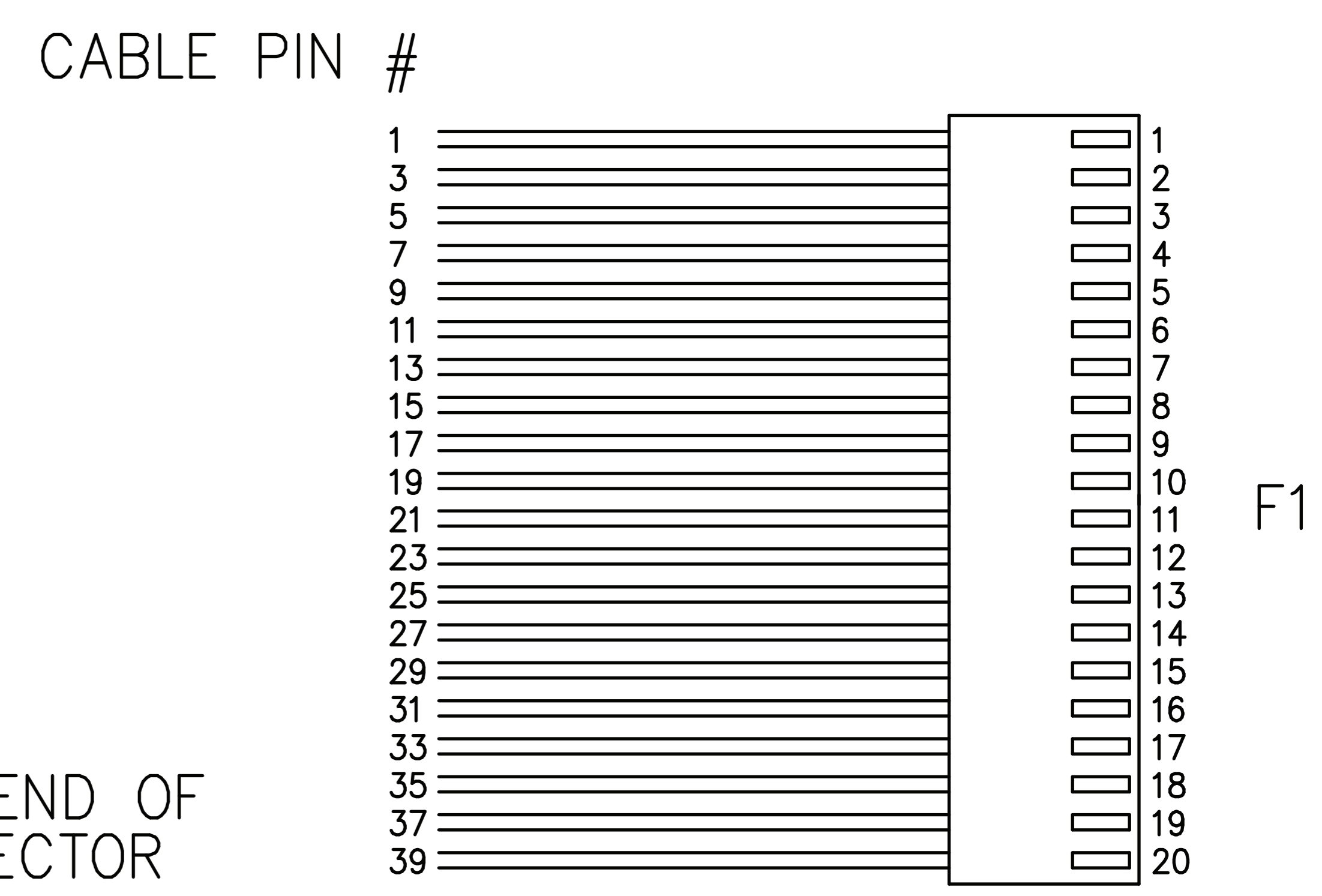
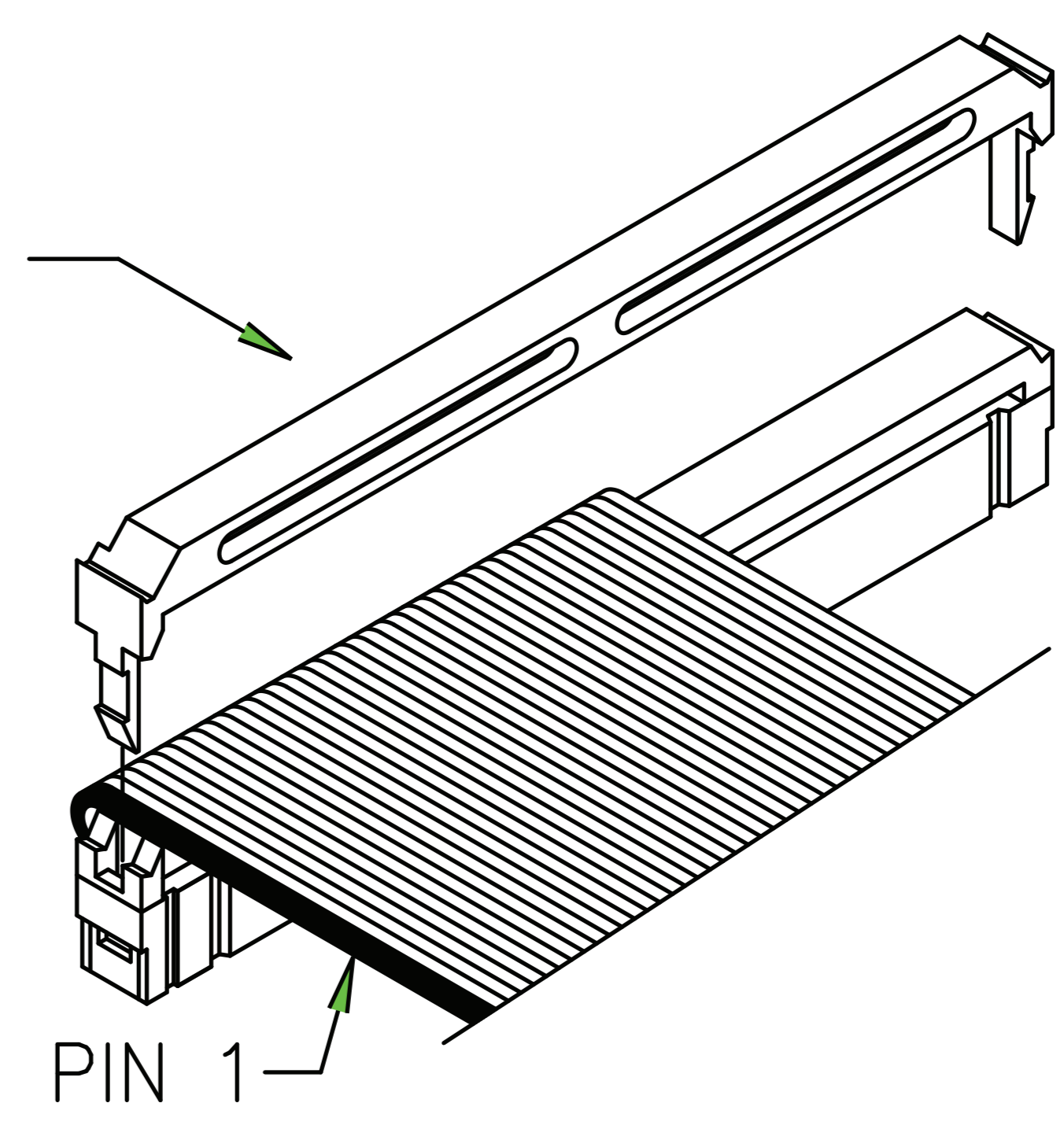


PIN 1 INDICATOR STRIPE



STRAIN RELIEF 64 POS SOCKET CONN
P/N: 1-499252-3

STRAIN RELIEF 40 POS SOCKET CONN
P/N: 1-499252-1



Parts shown in this drawing are available from TE Connectivity
visit "<https://te.com>" and search using the parts numbers listed above